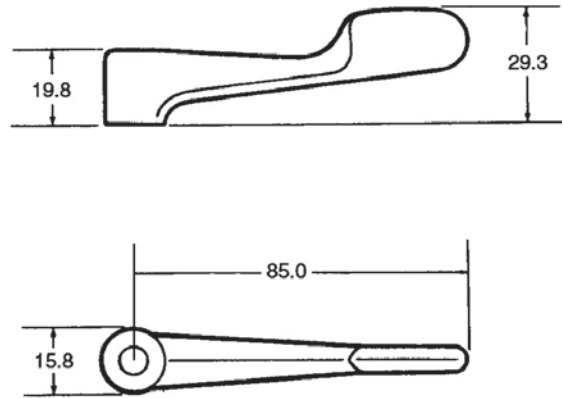
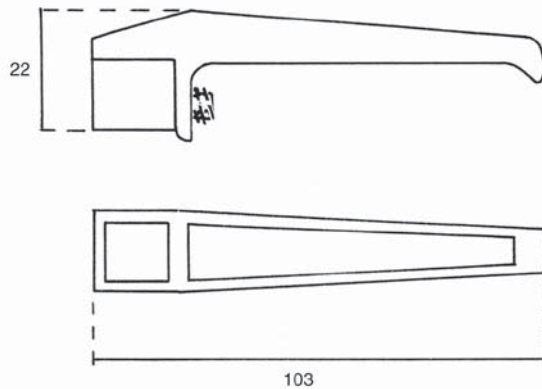


## Die-Cast Handles



### 3.1/5171

Spade-end handle, useful for restricted spaces, die-cast with chrome finish. Max height is 30mm, square core (8mm) normal to axis, length is 85mm.



### 3.1582

Remote handle, chrome plated.

### 3.1584

Remote handle, zinc plated.

## Chrome Plated 'D' Handles



### 3.LS507-S75

75mm Stainless Steel D handle.

### 3.LS507-S100

100mm Stainless Steel D handle.



### 3.LS511-A75

75mm Chrome plated zinc diecast handle.

### 3.LS511-A100

100mm Chrome plated zinc diecast handle.



HEAD OFFICE  
T: +61 02 8887 1200  
F: +61 02 8887 1249  
E: export@uesint.com

NEW SOUTH WALES  
T: +61 02 8787 6500  
F: +61 02 8787 6599  
E: uesnsw@uesint.com

QUEENSLAND  
T: +61 07 3623 5800  
F: +61 07 3865 5605  
E: uesqld@uesint.com

VICTORIA  
T: +61 03 8787 3100  
F: +61 03 8787 3101  
E: uesvic@uesint.com

SOUTH AUSTRALIA  
T: +61 08 8340 1599  
F: +61 08 8340 4423  
E: uessa@uesint.com

WESTERN AUSTRALIA  
T: +61 08 9249 2211  
F: +61 08 9249 2022  
E: ueswa@uesint.com

NORTHERN TERRITORY  
T: +61 08 8946 4500  
F: +61 08 8946 4555  
E: uesnt@uesint.com

NEW ZEALAND  
T: +64 09 633 4019  
F: +64 09 633 0249  
E: uesnz@uesint.com