

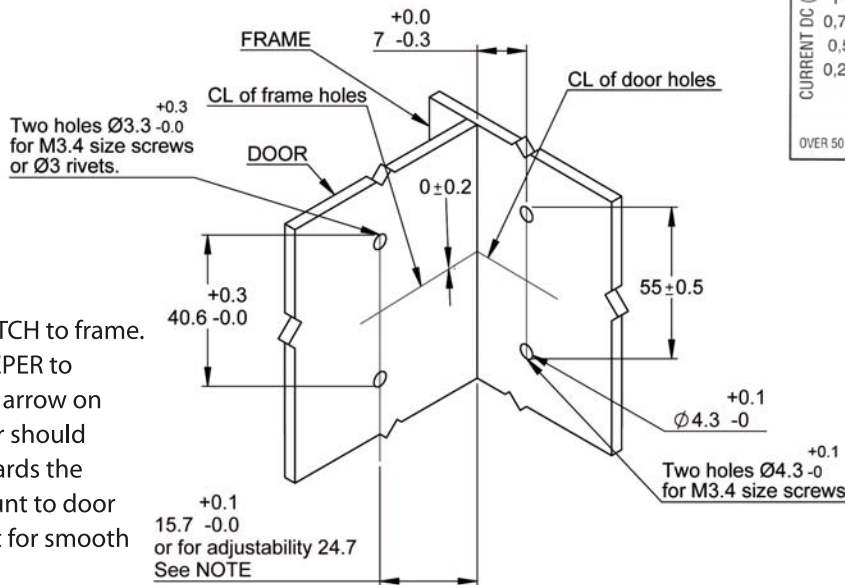
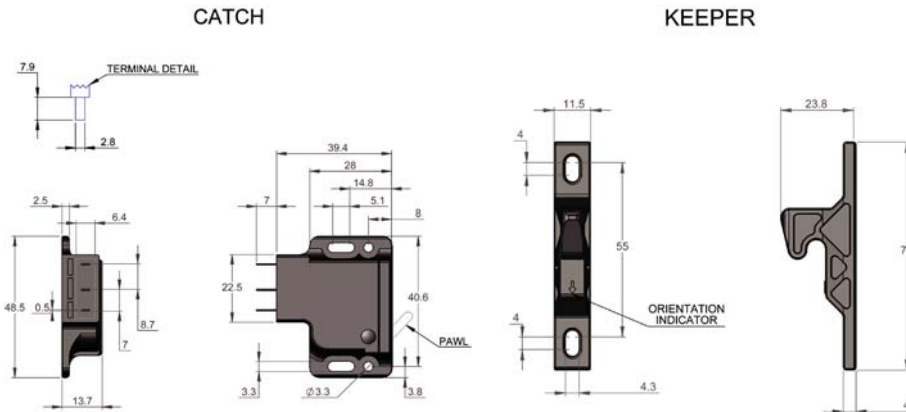
C3 Grabber Latch

- Pull to open.
- Opens and closes switch contacts with door operation.
- One assembly includes catch and switch.
- All plastic materials meet UL94-VO rating.
- Spring-loaded, over-centre latching.
- Choice of three pull-up forces.



Material and Finish:

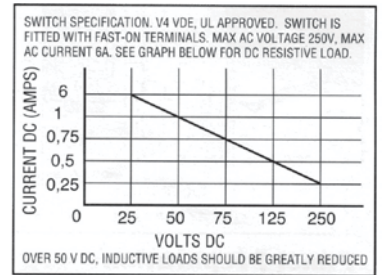
Spring: 302 Stainless steel, 13 N passivated, blue organic coating; 22 N passivated, black oxide.
Guide and slide: 1010 Steel, zinc plated plus bright chromate dip or 304 stainless Steel, passivated.
Rivet: 5056 Aluminium, natural.
Housing: ABS, black.
Support Rod, spring support, pawl and keeper: Glass fibre reinforced nylon, black.
Microswitch: Nylon, black.



Installation

1. Mount CATCH to frame.
2. Orient KEEPER to latch. The arrow on the keeper should point towards the pawl. Mount to door and adjust for smooth latching.

Distance from frame (or surface on which catch sub-assembly is mounted) to centreline of door hinge is 150 MIN.



Approximate Pull-up Force	Part Numbers
13 N	4.C3-1803
22N	4.C3-1805
44N	4.C3-1810

Product Strength Guidelines:

Flammability Rating:
All plastic materials - UL94-VO
Operating Temperature Range: -40°C to 60°C



<p>HEAD OFFICE T: +61 02 8887 1200 F: +61 02 8887 1249 E: export@uesint.com</p>	<p>NEW SOUTH WALES T: +61 02 8787 6500 F: +61 02 8787 6599 E: uesnsw@uesint.com</p>	<p>QUEENSLAND T: +61 07 3623 5800 F: +61 07 3865 5605 E: uesqld@uesint.com</p>	<p>VICTORIA T: +61 03 8787 3100 F: +61 03 8787 3101 E: uesvic@uesint.com</p>	<p>SOUTH AUSTRALIA T: +61 08 8340 1599 F: +61 08 8340 4423 E: uessa@uesint.com</p>	<p>WESTERN AUSTRALIA T: +61 08 9249 2211 F: +61 08 9249 2022 E: ueswa@uesint.com</p>	<p>NORTHERN TERRITORY T: +61 08 8946 4500 F: +61 08 8946 4555 E: uesnt@uesint.com</p>	<p>NEW ZEALAND T: +64 09 633 4019 F: +64 09 633 0249 E: uesnz@uesint.com</p>
--	--	---	---	---	---	--	---