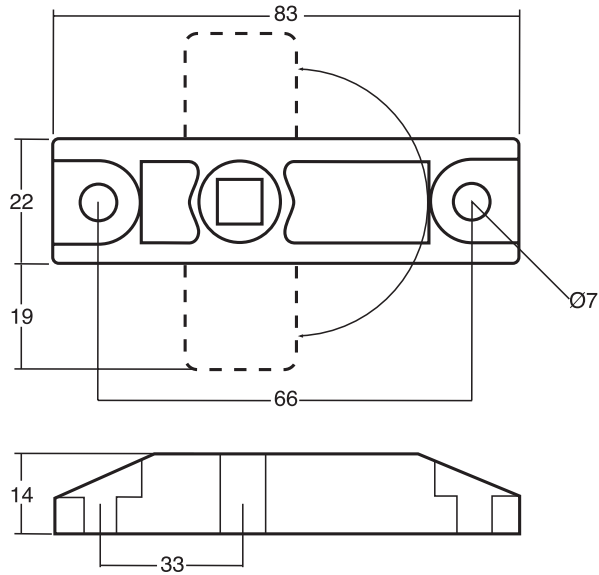


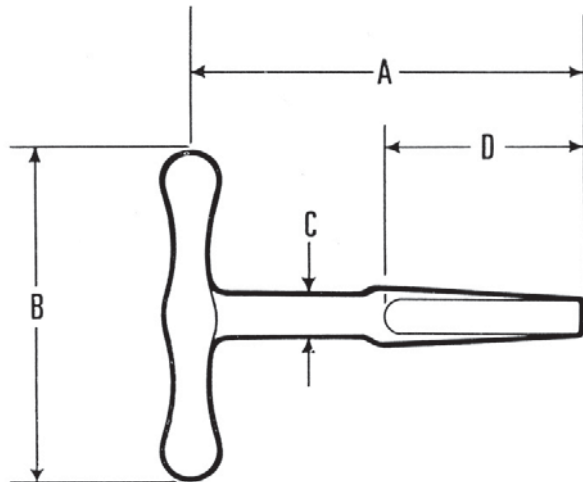
Moulded 'Budget' Latch

An ingenious design that replicates the function of our 'Universal' budget latch, but which takes full advantage of the properties of moulded materials. It is tough, lightweight, non-magnetic, self-lubricating, and totally corrosion-resistant.



4.9/01956 (set)

Budget Lock Keys



Rust proofed steel tee key.

4.2257/001

Standard type zinc plated. 83mm long (3").

4.2257/004

Standard type zinc plated. 130mm long (5").

| | 4.2257/001 | 4.2257/004 |
|----------|-------------------|-------------------|
| A | 76 | 120 |
| B | 63 | 72 |
| C | 9 | 9.5 |
| D | 46 | 44 |

