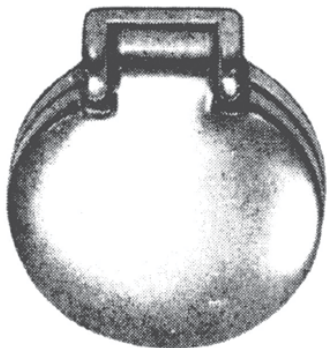


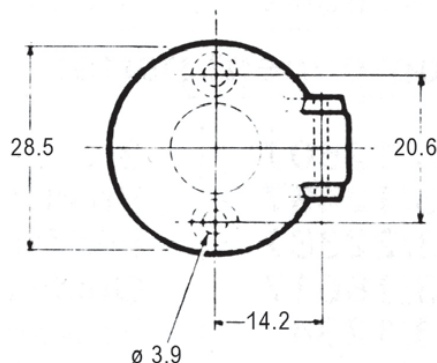
# Budget Latch Escutcheon

## Zinc Die-Cast Escutcheon



**4.0130/001**

Chrome plated.



**4.0130/002**

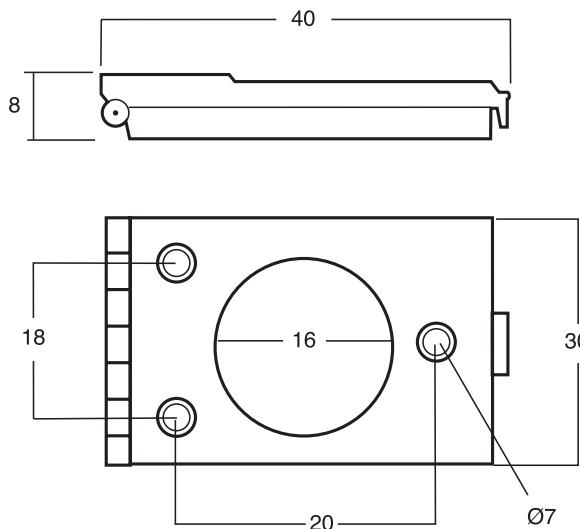
Black powder coated.

## Moulded Escutcheon Cover

Simple 'snap-shut' covers to protect external panel aperture. Waterproof, opens to 150° for easy fitting (no spring return).



**4.9/01960**

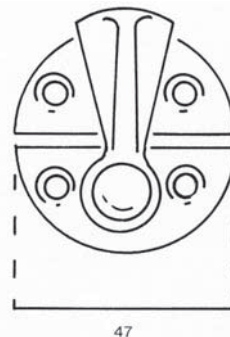


## Gravelly Fastener



**4.0662/001**

Chrome plated die-cast gravelly fastener with striker plate. **Medium Size:** 1.7/8 inches x 1 inch.



HEAD OFFICE  
T: +61 02 8887 1200  
F: +61 02 8887 1249  
E: export@uesint.com

NEW SOUTH WALES  
T: +61 02 8787 6500  
F: +61 02 8787 6599  
E: uesnsw@uesint.com

QUEENSLAND  
T: +61 07 3623 5800  
F: +61 07 3865 5605  
E: uesqld@uesint.com

VICTORIA  
T: +61 03 8787 3100  
F: +61 03 8787 3101  
E: uesvic@uesint.com

SOUTH AUSTRALIA  
T: +61 08 8340 1599  
F: +61 08 8340 4423  
E: uessa@uesint.com

WESTERN AUSTRALIA  
T: +61 08 9249 2211  
F: +61 08 9249 2022  
E: ueswa@uesint.com

NORTHERN TERRITORY  
T: +61 08 8946 4500  
F: +61 08 8946 4555  
E: uesnt@uesint.com

NEW ZEALAND  
T: +64 09 633 4019  
F: +64 09 633 0249  
E: uesnz@uesint.com

