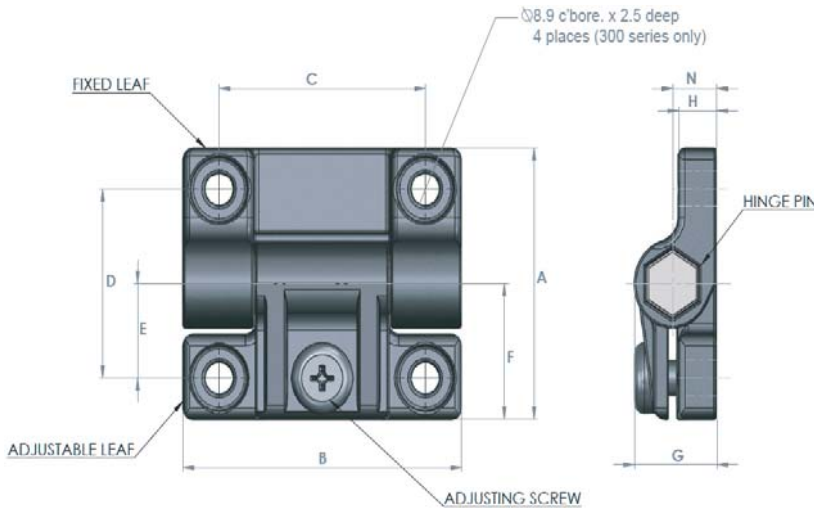


# Adjustable Friction Hinge – Medium & Large

- Hold doors open, partially open, closed.
- Turn the screw to dampen or free-up the door swing.



### Material And Finish:

- Leaves:** Acetal, black or white.
- Hinge Pin:** Polycarbonate, clear.
- Nut:** 303 Stainless steel, passivated.
- Adjusting Screw:** 303 Stainless steel, passivated (black oxide finish for black hinge). Hinges are packaged bulk.

Maximum prevailing torque of hinge:  
 300 Series - 0,8 N•m  
 500 Series - 4 N•m

**Flammability Rating:** (Leaves) UL94-HB; (Pin) UL94-V2

**Operating Temperature Range:**  
 -5°C to 65°C.

500 series shown

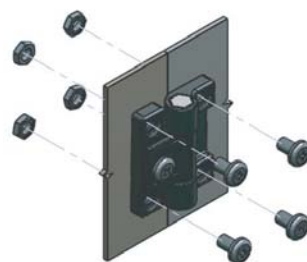
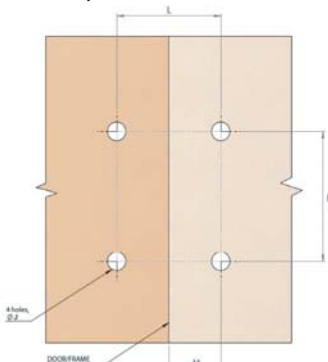
Dimensions									Colour	Part Numbers	Series (Size)
A	B	C	D	E	F	G	H	N			
36,5	43	31,7	25,5	12,7	18,3	12,7	6	6,7	White	<b>2.E6-10-301-10</b>	300
									Black	<b>2.E6-10-301-20</b>	
57,5	63,5	47,6	38	19	28,5	19,4	5,2	10,3	White	<b>2.E6-10-501-10</b>	500
									Black	<b>2.E6-10-501-20</b>	

### Installation:

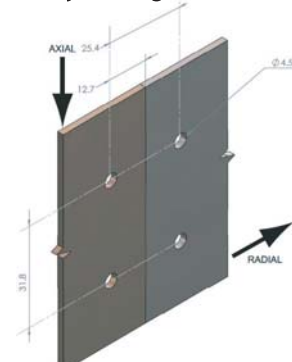
1. Prepare door and frame.

2. Mount hinge.

3. Adjust hinge friction.



Mounting screws not provided.



### Product Strength Guidelines:

#### Radial Load:

Average ultimate load:  
 300 Series - 1780 N  
 500 Series - 3110 N

#### Axial Load:

Average ultimate load:  
 300 Series - 890 N  
 500 Series - 2000 N

SERIES (SIZE)	K +0,3 -0,0	L $\pm 0,1$	M +0,2 -0,0	For Mounting	
				thread size-metric	$\varnothing J$ +0,1 -0,0
300	31,5	25,5	12,5	M4	4,5
500	47,5	38	19	M6	6,6

